



MIDLAND[®]

40th Anniversary CB Radio
Model 4001
"Precision Series CB"

OWNER'S MANUAL



www.midlandradio.com

How to install your Midland mobile CB.....	3
Installation and operating accessories furnished with your Midland CB:	3
Where to locate your CB transceiver.....	3
Mechanical mounting.	4
Power wiring (negative ground only).	5
Mounting the main unit.	5
Installation of microphone hanger.	6
Antenna:	6
How to select, position install and tune the right one for you.	6
Antenna installation.	7
Tuning your antenna.	7
Factors affecting CB range	7
Noise:	7
Midland MODEL 4001 CB Operating controls	8
FRONT PANEL CONTROLS	8
BACK PANEL	10
HOW TO OPERATE YOUR TRANSCEIVER	10
TECHNICAL SPECIFICATIONS	10
GENERAL	10
TRANSMITTER.....	11
SERVICE	11
LIMITED WARRANTY.....	12

Midland MODEL 4001 40 Channel mobile citizens band transceiver

For your protection, the space below is provided for you to record the Serial Number of this product, which is located on the rear of the radio. After recording this number, keep this record for future reference along with the sales receipt. The sales receipt is needed should your radio ever need service.

FCC I.D. MMA4001

Serial Number: _____

Welcome to the world of Midland electronics

Congratulations. You have just purchased a state of the art mobile CB radio. In the years ahead, you can expect to realize-time and again the real reasons and meaning of the front running position Midland holds among CB users everywhere. You will come to know that Midland power is more than just a slogan, but the heading of long list of hearable, seeable benefits. As your Midland CB experience unfolds and grows we hope you will remember that CB is only one kind of electronic excellence available under the Midland name.

Your 40 channel CB represents the state of the art in high tech engineering. The unit incorporates microprocessor controlled PLL circuitry for precise tuning.

How to install your Midland mobile CB

This transceiver may be installed in any **12-volt negative ground-system** car or truck. Most current U.S. and foreign vehicles use a negative system, but some older models and some newer large trucks may have a positive ground.

Check the requirements for your vehicle before you begin installation.

Generally, you have a **negative-ground** system if the minus (-) battery terminal is connected to the motor block. Contact your dealer in the event you are unable to determine your vehicle's polarity system.

Installation and operating accessories furnished with your Midland CB:

1. Easy removal mounting bracket system.
2. Microphone bracket system.
3. All main-unit and microphone mounting hardware needed for normal installation.
4. Plug-in microphone with coil cord.
5. FCC part 95, Subpart D.
6. Owner's Manual.

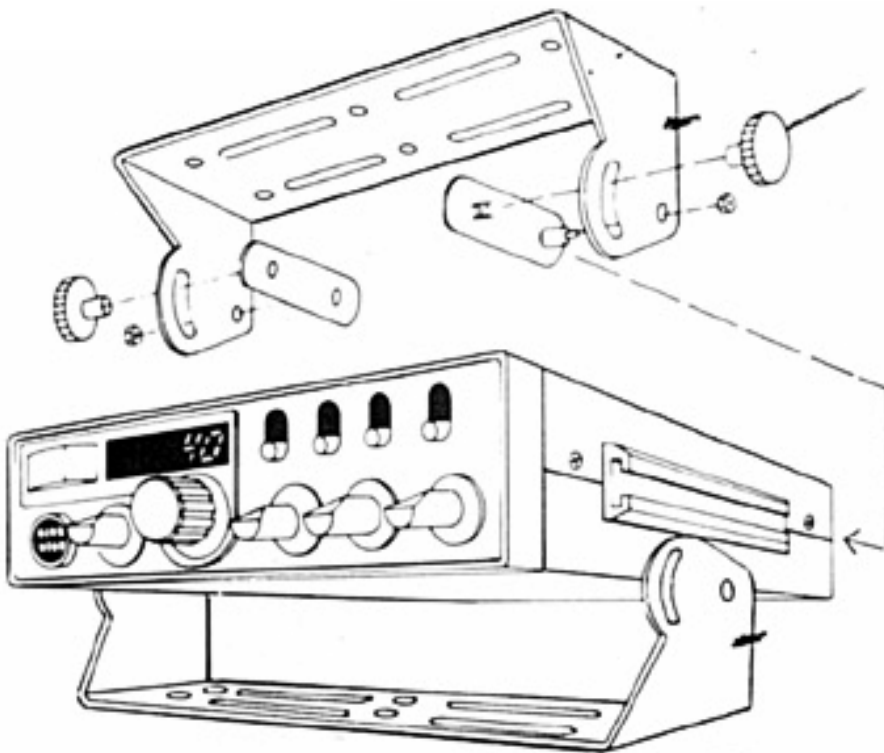
Where to locate your CB transceiver.

Your new Midland CB is designed to be installed under the dash or vertically on a console of your vehicle.

Safety and convenience are the primary considerations in deciding exactly where to locate your radio.

Caution: Be sure that the unit is located so that it does not interfere with the driver, supplemental restraint systems (air bags), or impair access to any controls. Connecting cables must be routed and secured in such a manner as not to interfere with the operation of the brake, accelerator or other controls. Interference from either the unit or connecting cables may contribute to the loss of control of the vehicle.

Mechanical mounting.



Step 1: Heeding the caution, use the mounting bracket as a template for marking the location of screw holes under the dash. Use an awl, nail or other sharp pointed object to mark the hole locations.

Step 2: Drill a 1/8" hole for each screw hole in the mounting bracket. Attach the bracket to the dash with the Phillips head sheet metal screws provided.

👉 Extreme care should be exercised when drilling into the dash to avoid damage to under-dash electronic ignition, cruise control, instrument and / or accessory wiring.

Step 3: Attach removable 3-pin plug-in DC cord to polarized DC jack on the rear of the transceiver.

Step 4 Locate and secure the radio into the mounting bracket, allowing working space for later power connections.

Power wiring (negative ground only).

Step 1: If you have not determined whether your vehicle has a negative or positive ground, do so now. Then disconnect the negative lead from the battery to prevent short circuits that can occur during wiring. **Do not connect this transceiver to positive ground electrical systems.**

Step 2: With negative ground

A. connect the positive (RED WIRE) the one with in-line fuse holder to either the (a) fuse block, (b) cigarette lighter, or (c) directly to the positive post on your battery.

Usually, the fuse block is the most convenient connecting point. It is also possible to connect to the Accessory terminal on the fuse block or ignition switch, so that your CB automatically goes off when the ignition goes off.

B. Then tightly connect the ground (BLACK WIRE) directly to the vehicle's metal frame. A good direct metal-to-metal ground is essential for optimum performance.

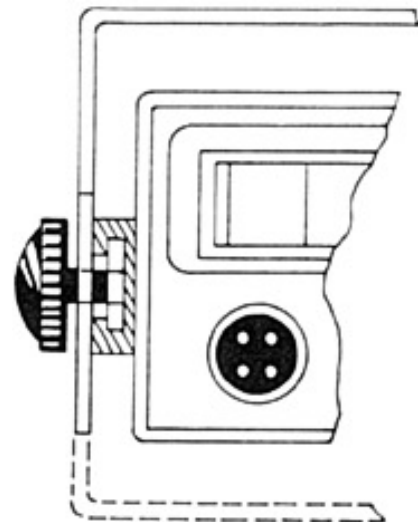
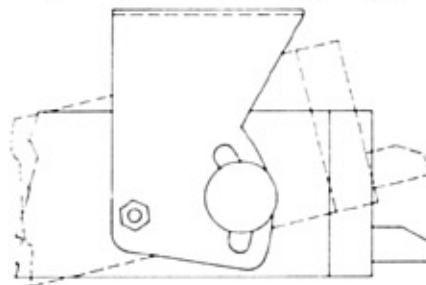
👉 Installations using the cigarette lighter socket for power require an extra ground wire from the radio chassis to the vehicle if the radio is not fastened to a grounded part of the vehicle.

Mounting the main unit.

Step 1: Loosen the retaining knobs on each side of the mounting bracket to give enough space for the unit to slide between the two bracket arms.

Step 2: Position the main unit between the bracket arms in line with the retaining knobs. Set the height and angle for optimum operating comfort and accessibility.

Step 3: Tighten the retaining knobs.



Installation of microphone hanger.

Mounting holes are provided on the microphone hanger bracket. The bracket can be attached to the vehicle dash, or other convenient location.

Antenna:

How to select, position install and tune the right one for you.

Basically, you may choose from two types of mobile CB antennas - full-length whip and loaded whip - and a variety of mounts (depending on where you locate your antenna).

Midland markets a broad line of high-performance antennas. The dealer who sold you your Midland CB can advise which type is best for you.

Where you locate your antenna does make a difference.



Some general rules for antenna location that can aid CB performance:

1. Put your mount as high on the vehicle as possible.
The higher the proportion of antenna length that is above the roof, the better.
2. If possible, mount the antenna in the center of whatever surface you choose.
3. Keep antenna cables away from noise sources, such as the ignition system, gauges, etc.
4. Make sure you have a solid metal - to - metal ground.
5. Exercise care to prevent cable damage.

Essentially, you have five location choices: the roof, gutter, rear deck, front cowl or rear bumper. Where you decide to locate your antenna will determine the type of antenna you install. Again consult your Midland CB dealer for advice and guidance, and measure your needs against the attributes of the various Midland antenna models he carries.

Antenna installation.

Follow the manufacturer's installation instructions carefully.

-  **Warning:** Never operate your CB radio without attaching an antenna or with a broken antenna cable. This will result in damage to transmitter circuitry.
-  **Safety notice:** The antenna used for this radio must be installed to provide a separation distance of at least 20cm (8 in.) from all persons and must not be co-located or operating in conjunction with any other antenna or transmitter.

Tuning your antenna.

Some antennas are factory tuned. However, performance can usually be improved by slightly lengthening or shortening its length, using a Standing Wave Ratio (SWR) meter. For the exact procedures to be used refer to the antenna manufacturer's installation manual.

You can buy an SWR meter separately or have your antenna checked by your Midland CB Dealer's service department.

Factors affecting CB range

Essentially, they are the same influences that optimize or limit AM and FM broadcast signals.

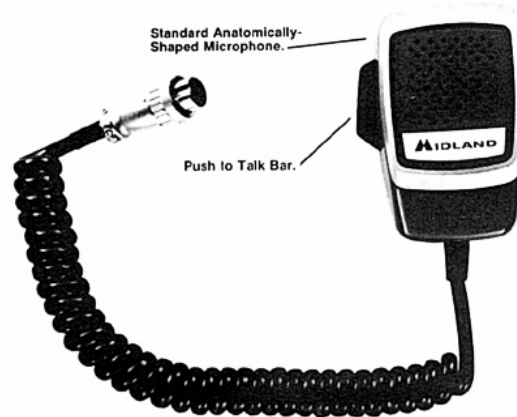
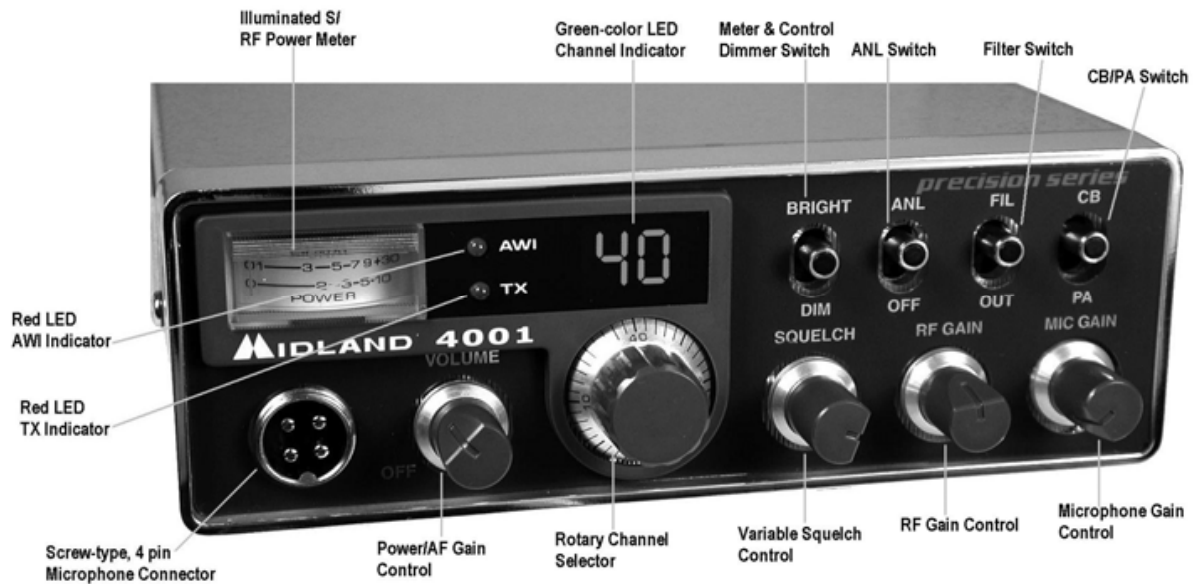
Terrain: Hills, valleys and buildings naturally interrupt and shorten CB signals. In short, any thing that is between you and the person you want to talk to can shorten your CB range. You can expect to maintain maximum transmitting/receiving performance in flat, open country.

Weather: You can expect that CB range will be reduced – perhaps drastically – in times of atmospheric disturbance, such as in a thunder storm or heavy snow. Sunspots too are known to adversely affect CB performance.

Noise:

A very common source of excessive noise is the ignition system. In many vehicles today the electric fuel pump is another possible source of noise. If you suspect this is true, turn off the ignition. With the CB in receive mode the noise is no longer present this is a source of the noise. In some cases the noise can be reduced or eliminated by making sure the CB radio chassis is grounded. This is in addition to the power cord. In extreme cases additional grounding of components might be necessary.

Midland MODEL 4001 CB Operating controls



FRONT PANEL CONTROLS

ON/OFF VOLUME: In the off position your transceiver power is off. Turn this control clockwise to switch on the unit and adjust the volume.

SQUELCH CONTROL: Adjust this control until background noise just disappears. If the control is adjusted too far clockwise it may cause muting of weaker signals.

RF GAIN CONTROL: Adjust this control counter-clockwise to reduce reception of interfering signals.

MIC GAIN CONTROL: Adjust this control to suit individual voice characteristics and ambient noise conditions to provide maximum intelligibility.

S/RF POWER METER: This meter is used in receiving to indicate the relative signal strength of incoming signals. When transmitting, it shows RF power output.

BRIGHT/DIM Switch: When turned to DIM, the meter backlight and control knob backlight intensity is reduced.

ANL/OFF Switch: When turned on it operates in the receiver to reduce atmospheric and ignition noise.

FIL/OUT Switch: When turned on the audio filter changes the tone quality of received signals for improved ease of listening in high noise conditions.

PA/CB Switch: When in PA it causes your voice to operate the optional external PA speaker. In CB the microphone operates the transmitter.

MICROPHONE CONNECTOR: Plug in the supplied microphone to this connector. Received signals will not be heard without the microphone.

CHANNEL KNOB: This easy to operate control allows changing of CB channel, either up or down.

CHANNEL INDICATOR: The LED displays the channel number.

TX LED: indicator for showing the unit is transmitting.

AWI LED: The Antenna Warning Indicator will activate to warn you of trouble in your antenna system. For example, if the antenna or connecting cable is damaged, badly mismatched or disconnected, the AWI will light. In this event, you should stop transmitting until the problem is corrected.

Push-To-Talk bar: Press this bar to cause the radio to transmit. Hold the microphone about 2 inches from your mouth and speak in a normal voice.

BACK PANEL

ANTENNA CONNECTOR: Connect a standard 50-ohm CB antenna to this connector.

EXT SP: When a speaker is connected to this jack the internal speaker is by-passed. All received signals will be heard through the external speaker. The speaker connected to the "EXT" jack should be rated at 8 ohms and 5 watts.

PA JACK An optional PA speaker may be attached to your transceiver through the PA output jack on the back panel. This allows you to communicate with pedestrians or other vehicles through your CB microphone.

DC 13.8V POWER JACK. Connects to power cord with in line 2 Amp fuse.

HOW TO OPERATE YOUR TRANSCEIVER

You should become familiar with the controls and complete the preceding installation instructions before attempting operation of your CB.

1. Rotate the on/off volume control clockwise to turn the unit on
2. Rotate the RF Gain control fully clockwise.
3. Adjust the squelch control fully counter-clockwise so noise is heard.
4. Adjust the volume for a normal listening level.
5. Rotate the squelch control until the noise just disappears. In some cases you may need to rotate the RF gain counter-clockwise to reduce the noise level.
6. Select the desired channel by rotating the channel selector.
7. To transmit press the PTT bar on the side of the microphone. Hold the microphone 2 to 3 inches from your lips and speak in a normal voice.
8. To receive simply release the PTT bar.

TECHNICAL SPECIFICATIONS

GENERAL

Frequency range	26.965-27.405 MHz
Channels	40
Modulation type	AM
Antenna impedance	50 Ohm
Loudspeaker	8 Ohm
Microphone	Electret

Power Supply13.8 VDC negative ground
 Size4-7/8”(W) x 6-1/2”(D) x 1-1/2”(H)
 Unit Weight.....1 lb. 10 oz.

RECEIVER (CB, 26.965-27.405 MHz)

Sensitivity at 10db S/N.....0.7 uV
 Selectivity45 dB ± 10 kHz
 Squelch range0.5 uV-500 uV
 Audio output power3.0 W @ 8 Ohm (10% distortion)
 Distortion at 1000 mV3%
 Audio frequency response400-2400 Hz
 Intermediate frequencyI ° 10.635 MHz II ° 455 kHz
 Spurious responsemore than 45 dB

TRANSMITTER

RF Output Power4.0 W
 Frequency Tolerance0.005%
 Harmonic SuppressionMore than 60 dB
 ModulationAM 90% (± 5%)

SERVICE

If it ever becomes necessary to return your unit for service:

Pack the unit in its original box and packing, Improper packing may result in damage during shipment. Be sure to remove the microphone from the radio before packing.

Include a full description of any problems. Include a DAY TIME telephone number in the event we need more information.

Include a Money Order, Chashiers Check or Master Card, Visa for \$ 7.50 to cover shipping and handling.

You do not need to return accessory items (brackets, screws, power cord, antenna, etc.) unless they may be directly related to the problem.

Include a photocopy of the bill of sale or other proof of purchase showing the date of sale. (credit card statements are not acceptable)This information must be included before warranty service can be considered.

A flat rate charge of 45 dollars will apply to radios not covered by the Warranty. Master Card, Visa or Money Order will be accepted for payment only. Personal checks will not be accepted and will delay the repair of your radio until we receive payment by approved methods.

Midland Radio Corporation
Hereby certifies that this unit has
been designed, manufactured,
FCC type accepted and certified
in accordance with part 95 and
Part 15, Subpart C of the current
FCC rules and regulations as of
the date of manufacture.

LIMITED WARRANTY.

Midland Radio will repair or replace, at its option without charge, your MODEL 4001 CB transceiver which fails due to a defect in material or workmanship within three years following the initial consumer purchase.

This warranty does not include the cost of labor for removal or re-installation of the product in a vehicle or other mounting.

Performance of any obligation under this warranty may be obtained by returning the warranted product, freight prepaid, along with a readable copy of the original dated sales receipt, to Midland Radio, Warranty Service Department 1120 Clay St., North Kansas City, Missouri 64116, or to the place of purchase (if a participating dealer).

This warranty gives you specific legal rights, and you may also have other rights which vary from state to state.

Note: The above warranty applies only to merchandise purchased in the United States of America or any of the territories or possessions or from U.S. military exchange

MIDLAND

RADIO CORPORATION
1120 Clay St.
North Kansas City, Mo. 64116
Phone 816-241-8500

E-mail: mail@midlandradio.com

URL: www.midlandradio.com

Printed in Thailand